

Steel bushing

(lubricated metal)



We also manufacture wound bushings made of steel or stainless steel without any slide bearing alloys. Also, DAISULPH surface treatments for enhancing tribological properties of surfaces are also available.

Material properties

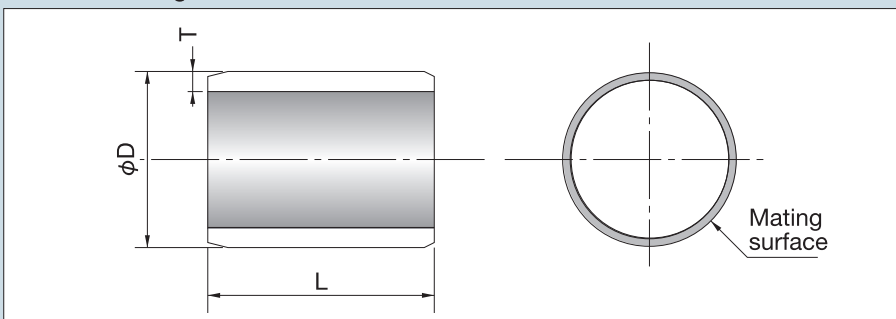
Symbol	Chemical composition (wt%)							
	Fe	C	Ni	Cr	Si	Mn	P	S
SUS304 (18-8 stainless steel)	Residual	0.08 or less	8.00 – 10.50	18.00 – 20.00	1.00 or less	2.00 or less	0.45 or less	0.030 or less
SPCC (cold-rolled narrow steel strip)	Residual	0.08 or less	8.00 – 10.50	18.00 – 20.00	1.00 or less	2.00 or less	0.45 or less	0.030 or less
SAPH (rolled steel)	Residual	0.08 or less	8.00 – 10.50	18.00 – 20.00	1.00 or less	2.00 or less	0.45 or less	0.030 or less

DAISULPH surface treatment

Symbol	Features	Hardness
DSN (carbonitriding)	Wear resistant	Hv700 or higher
DSS (sulphur nitriding)	Non-seizing, wear resistant	Hv600 or higher
DSM (sulphur nitriding plus molybdenum disulfide coating)	Non-seizing, non-lubricated (dry)	(Treated layer) Hv600 or higher

Geometry and dimensions

Wound bushing



Manufacturing range

Outer diameter (D): 5- to 200-mm dia.

Thickness (t): 0.5–3.0 mm

Length (L): 5–100

